



## Intelligence at the edge

Smart. Easy. Convenient.



### DController Features

Utilizes a standard 10/100 Ethernet connection to communicate with DNA Fusion access control software.

6MB memory and storage for up to 240,000 cardholders and 50,000 transactions.

Powered by PoE (IEEE Compliant 802.af) or optional external power supply.

PoE power output for supplying power to peripheral devices such as readers and locks.

Support for iClass, proximity, magnetic stripe, Wiegand, RS-485 and keypad readers.

Two reader ports available for in/out doors.

2 programmable inputs and 2 relay outputs.

### DControllerX Features

All the features of DController **PLUS** support for (16) NSC-100s and RS-485 connected sub-controllers.

# DController

*Intelligent Door Controller*

### Overview

The **DController** is a compact, IP-based, Intelligent Door Controller designed to quickly and easily add doors to your system using standard 10/100 network infrastructure. The DController supports class 3 Power over Ethernet (PoE) to power the device as well as peripheral devices at the door and communicates with DNA Fusion™ access control software over standard network connection thus eliminating traditional “home run” wiring to every door. The DController is an intelligent device, meaning all cardholder and access control decisions are made locally at the device.

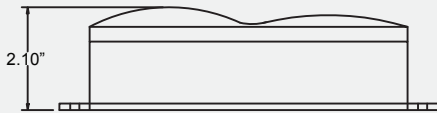
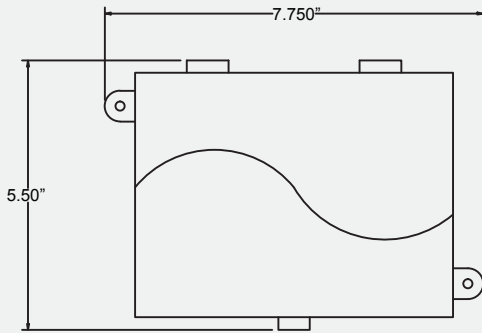
The **DControllerX** is an extended door controller that has all the same great features of the DController, yet can also support up to 16 network door modules (NSC-100) and up to 8 traditional RS-485 I/O panels up to 1000 feet. The DControllerX will support a total of 17 readers.

Both the **DController** and **DControllerX** connect directly to the network with a standard RJ45 connection and support two readers (paired as single door), two supervised inputs, and two output relays. Both units come complete with pre-wired connection leads (primary and auxiliary) for quick and easy termination of peripheral devices such as card readers, motion detectors, etc.



# DController - Intelligent Door Controller

## DController Specification



DController Dimensions

**Power Input:** PoE, 12.95W, Class 3, compliant to IEEE 802.3af -OR- 12 VDC  $\pm$ 10% 900mA max Power Supply.

**Power Output:** 12VDC @ 650mA including reader and Aux. output.

**Outputs:** 2 Form C contacts 2A @ 30VDC.

**Inputs:** 2 programmable inputs, EOL 1k/1k ohm.

**Reader Power:** 12VDC  $\pm$ 10%, 150mA Max.

**Reader Data:** Two TTL compatible inputs or one 2-wire RS-485\*

**Communication:** 10Base-T/100Base-TX

**Dimension:** 7.75"L (197mm) x 5.50"W (140mm) x 2.1"H (53mm)

**Weight:** 12.8 oz. (360g) (without cables)

Environment:

**Temperature:** -10°C to +55°C, storage; 0°C to +40°C, operating;

**Humidity:** 10% to 95% RHNC

Cable Requirements:

**Power:** (External, Non-PoE) 18AWG, 1 twisted pair

**Alarm Inputs:** 1 twisted pair per input, 30-ohm max.

**Reader data (TTL):** 22AWG, 6 conductors, 500-foot (150 m) max.

**Reader data (RS-485):** 24AWG, 120-ohm impedance, twisted pair with shield, 4000ft (1,219m) max.

\* 485 Available on primary reader port only

## Application

